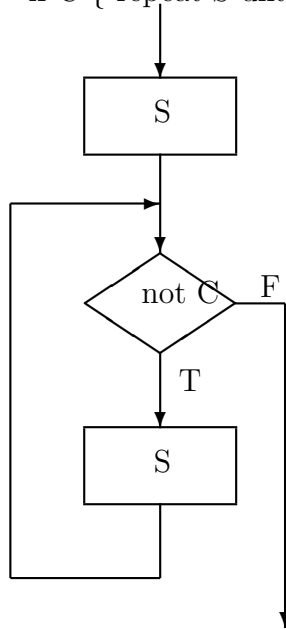
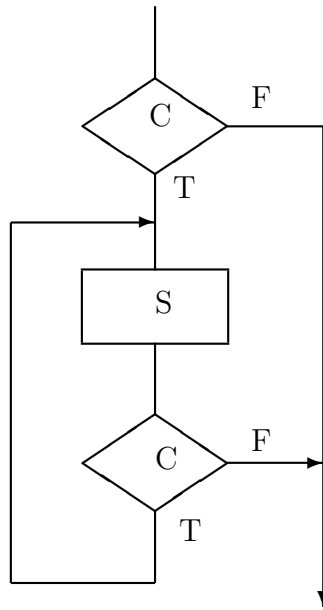


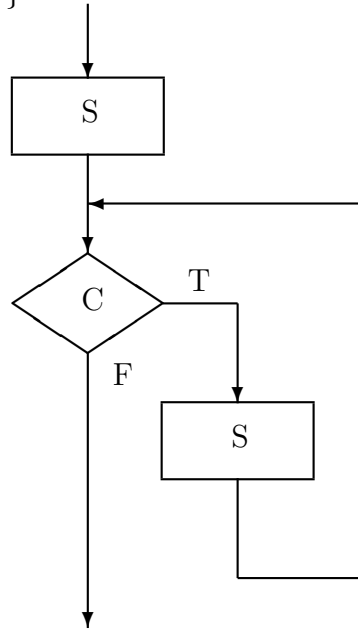
if C { repeat S until not C }



S ; while not C do S ;



While C do S



Repeat S until C